

**Universal Multiple-Octet Coded Character Set  
International Organization for Standardization  
Organisation Internationale de Normalisation  
Международная организация по стандартизации**

Doc Type: Working Group Document

Title: Proposal to add the currency sign for the KYRGYZ SOM to the UCS

Source: The National Bank of Kyrgyz Republic for ISO/IEC JTC1 contribution

Action: For consideration by JTC1/SC2/WG2 and UTC

Date: 2020-07-10

## 1. Proposed Character

☒ U+20C0 KYRGYZ SOM SIGN

Properties: 20C0; KYRGYZ SOM SIGN; Sc;0;ET;;;;;N;;;;;

## 2. Discussion

The Kyrgyz som is the currency of Kyrgyz Republic (ISO 4217 currency code: KGS (417)).

Details and the history of the currency can be found in Wikipedia [\[1\]](#).

Here is the official notification of introduction of new currency symbol for the som, published on WEB-site of the National Bank of the Kyrgyz Republic (NBKR):



“On 8 February 2017 in accordance with the resolution of Board of the National Bank of the Kyrgyz Republic "On approval of the graphic symbol of the official monetary unit of the Kyrgyz Republic, the som," dated October 27, 2016 No. 43/4, in compliance with article 43 of the Law of the Kyrgyz Republic “On National bank of the Kyrgyz Republic, banks and banking activity”, the Board of the National Bank of the Kyrgyz Republic introduced for general use the graphic symbol of the official monetary unit of the Kyrgyz Republic - the Som, as pictured.

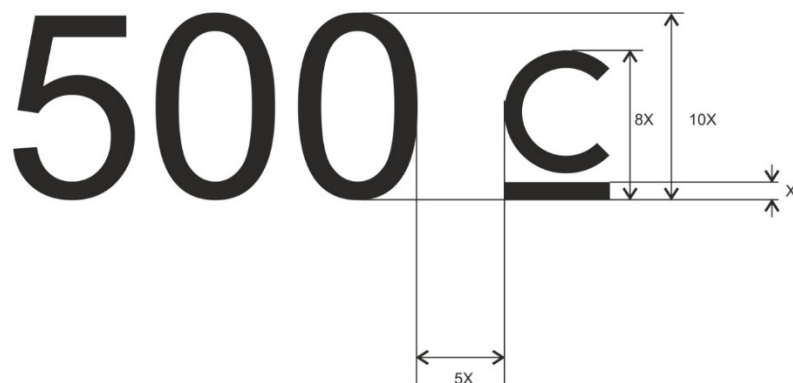
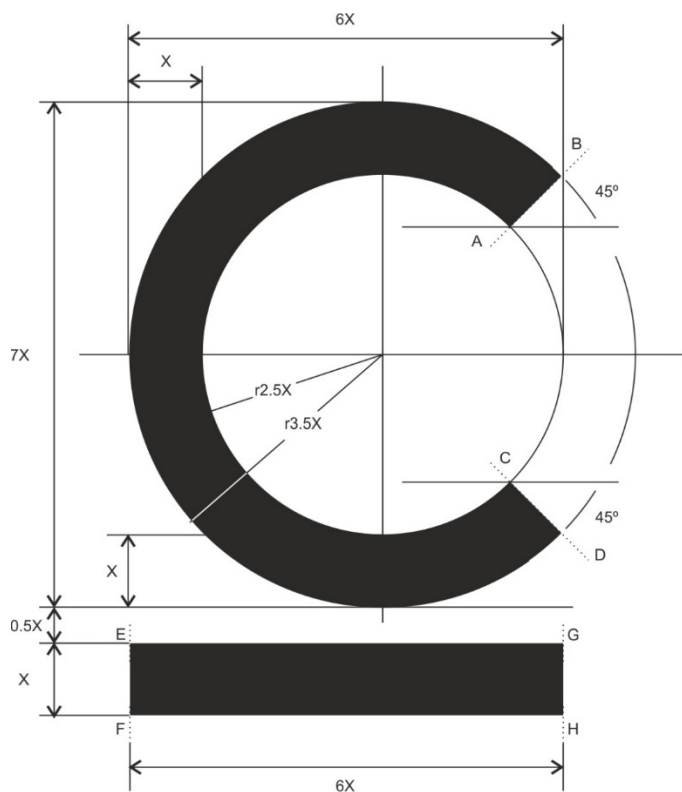
The concept of the Som sign is based on a capital letter “С” of the Cyrillic alphabet with underlining that indicated the stability of the national currency.”

This means that starting from this date; this sign can and should be used everywhere inside and outside Kyrgyz Republic for symbolic representation of the som as a national currency sign.

The official decision of the National Bank will definitely speed up wider use of the sign in the Kyrgyz and international banking communities. The National Bank itself plans to use this sign on the circulation som coins, also there are plans for later use it on banknotes. Currently, Som sign is already have been used on the collection coins of the National Bank.

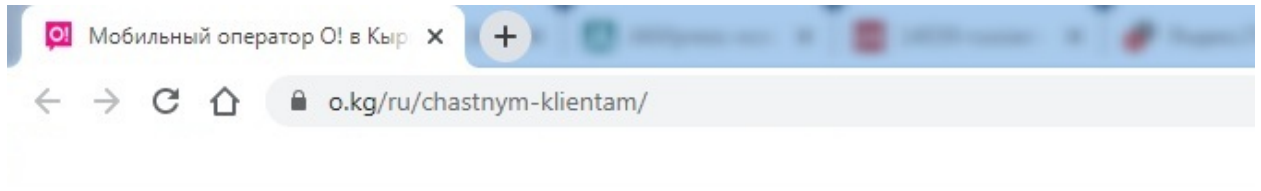
In fact, the shown som sign is already quite often used in real life (see examples in Attachment 2). The noticeable dynamics of recent few years shows that wider adoption of the som sign will be “quite natural” for the majority of Kyrgyz population and will be rolled-out as a stable and fast going process.

And we can expect much more rapid spread after the som sign will be included in UNICODE standard and will became available in mass of electronic devices.



Attachment 2





ТАРИФЫ

УСЛУГИ

АКЦИИ

**ПЕРЕХОДИ НА O!  
БЕЗЛИМИТ НА ВСЁ!**

- 🌐 Безлимит
- 📞 30 минут
- 📞 Бесплатно
- 👤 O! Safe Kids
- 📺 40 каналов O!TV
- 🎬 O!Кино

**185 ₺ за 7 дней**

Подключить

ХИТ

**ПЕРЕХОДИ НА O! 160  
+ O! SAFE KIDS**

- 🌐 20 ГБ
- 📞 20 минут
- 📞 Бесплатно
- 👤 O! Safe Kids

**160 ₺ за 7 дней**

Подключить



Частным клиентам

Тарифы

Опции

Услуги

Роуминг

Поддержка

Амедiateка

МегаСкидки

**МегаБит**  
БЕЗЛИМИТ ВСЕГО ЗА **690** ₮ В МЕСЯЦ

12:48

12:41

home lock kivano.kg

Поиск...

**Каталог товаров**

**ГОТОВЫ К ЖАРЕ?**




до 20 м<sup>2</sup> площадь

**OASIS 0T-07**  
**14125 ₮**

[ПОДРОБНЕЕ](#)

**0-0-15**  
РАССРОЧКА



[ПОДРОБНЕЕ](#) **10 990 ₮**



Сотовый телефон  
Xiaomi Redmi...



Сотовый телефон  
Huawei P40...



Сотовый т  
Apple iPh...

13.07.2020 02:30

Добро пожаловать в KFC

← → ↻ 🏠 kfc.kg/#



Меню

Рестора



**KFC**

**ЛЕТНИЕ ХИТЫ**

МИЛКШЕЙКИ, МОРОЖЕННОЕ, АЙ-ТВИСТЕР

**59 ₮**



### 3. Proposal summary form

**ISO/IEC JTC 1/SC 2/WG 2**

**PROPOSAL SUMMARY FORM TO ACCOMPANY SUBMISSIONS**

**FOR ADDITIONS TO THE REPERTOIRE OF ISO/IEC 10646<sup>1</sup>.**

**Please fill all the sections A, B and C below.**

Please read Principles and Procedures Document (P & P) from <http://std.dkuug.dk/JTC1/SC2/WG2/docs/principles.html> for guidelines and details before filling this form.

Please ensure you are using the latest Form from <http://std.dkuug.dk/JTC1/SC2/WG2/docs/summaryform.html>.

See also <http://std.dkuug.dk/JTC1/SC2/WG2/docs/roadmaps.html> for latest Roadmaps.

#### A. Administrative

<b>1. Title:</b>	<i>Proposal to Encode the Kyrgyz Som Symbol in the UCS</i>	
<b>2. Requester's name:</b>	<i>The National Bank of Kyrgyz Republic</i>	
<b>3. Requester type (Member body/Liaison/Individual contribution):</b>	<i>Member body</i>	
<b>4. Submission date:</b>	<i>08/07/2020</i>	
<b>5. Requester's reference (if applicable):</b>		
<b>6. Choose one of the following:</b>		
This is a complete proposal:		<i>Yes</i>
(or) More information will be provided later:		

#### B. Technical – General

<b>1. Choose one of the following:</b>		
a. This proposal is for a new script (set of characters):		<i>No</i>
Proposed name of script:		
b. The proposal is for addition of character(s) to an existing block:		<i>Yes</i>
Name of the existing block:	<i>Currency Symbols</i>	
<b>2. Number of characters in proposal:</b>		<i>1</i>
<b>3. Proposed category (select one from below - see section 2.2 of P&amp;P document):</b>		
A-Contemporary <input checked="" type="checkbox"/>	B.1-Specialized (small collection) <input type="checkbox"/>	B.2-Specialized (large collection) <input type="checkbox"/>
C-Major extinct <input type="checkbox"/>	D-Attested extinct <input type="checkbox"/>	E-Minor extinct <input type="checkbox"/>
F-Archaic Hieroglyphic or Ideographic <input type="checkbox"/>	G-Obscure or questionable usage symbols <input type="checkbox"/>	
<b>4. Is a repertoire including character names provided?</b>		<i>Yes</i>
a. If YES, are the names in accordance with the “character naming guidelines” in Annex L of P&P document?		<i>Yes</i>
b. Are the character shapes attached in a legible form suitable for review?		<i>Yes</i>
<b>5. Fonts related:</b>		
a. Who will provide the appropriate computerized font to the Project Editor of 10646 for publishing the standard?		

<sup>1</sup> Form number: N4502-F (Original 1994-10-14; Revised 1995-01, 1995-04, 1996-04, 1996-08, 1999-03, 2001-05, 2001-09, 2003-11, 2005-01, 2005-09, 2005-10, 2007-03, 2008-05, 2009-11, 2011-03, 2012-01)

b. Identify the party granting a license for use of the font by the editors (include address, e-mail, ftp-site, etc.):

6. References:

a. Are references (to other character sets, dictionaries, descriptive texts etc.) provided?

*Yes*

b. Are published examples of use (such as samples from newspapers, magazines, or other sources) of proposed characters attached?

*Yes*

7. Special encoding issues:

Does the proposal address other aspects of character data processing (if applicable) such as input, presentation, sorting, searching, indexing, transliteration etc. (if yes please enclose information)?

*No*

8. Additional Information:

Submitters are invited to provide any additional information about Properties of the proposed Character(s) or Script that will assist in correct understanding of and correct linguistic processing of the proposed character(s) or script. Examples of such properties are: Casing information, Numeric information, Currency information, Display behaviour information such as line breaks, widths etc., Combining behaviour, Spacing behaviour, Directional behaviour, Default Collation behaviour, relevance in Mark Up contexts, Compatibility equivalence and other Unicode normalization related information. See the Unicode standard at <http://www.unicode.org> for such information on other scripts. Also see Unicode Character Database ( <http://www.unicode.org/reports/tr44/> ) and associated Unicode Technical Reports for information needed for consideration by the Unicode Technical Committee for inclusion in the Unicode Standard.

### C. Technical - Justification

1. Has this proposal for addition of character(s) been submitted before?	<i>No</i>
If YES explain	
2. Has contact been made to members of the user community (for example: National Body, user groups of the script or characters, other experts, etc.)?	<i>Yes</i>
If YES, with whom?	<i>National Bank of the Kyrgyz Republic</i>
If YES, available relevant documents:	
3. Information on the user community for the proposed characters (for example: size, demographics, information technology use, or publishing use) is included?	<i>Yes</i>
Reference:	<i>Citizens and legal entity of Kyrgyz Republic, National Bank of the Kyrgyz Republic, IT users</i>
4. The context of use for the proposed characters (type of use; common or rare)	<i>Common</i>
Reference:	<i>To represent the som currency in monetary amounts</i>
5. Are the proposed characters in current use by the user community?	<i>Yes</i>
If YES, where? Reference:	<i>Usage in general commerce within Kyrgyz Republic has already begun</i>
6. After giving due considerations to the principles in the P&P document must the proposed characters be entirely in the BMP?	<i>Yes</i>
If YES, is a rationale provided?	<i>Yes</i>
If YES, reference:	<i>The proposed U+XXXX is located in the Currency Symbols block, which is only available in the BMP</i>
7. Should the proposed characters be kept together in a contiguous range (rather than being scattered)?	<i>n/a</i>
8. Can any of the proposed characters be considered a presentation form of an existing character or character sequence?	<i>No</i>
If YES, is a rationale for its inclusion provided?	
If YES, reference:	
9. Can any of the proposed characters be encoded using a composed character sequence of either existing characters or other proposed characters?	<i>No</i>
If YES, is a rationale for its inclusion provided?	
If YES, reference:	
10. Can any of the proposed character(s) be considered to be similar (in appearance or function) to, or could be confused with, an existing character?	<i>No</i>
If YES, is a rationale for its inclusion provided?	
If YES, reference:	
11. Does the proposal include use of combining characters and/or use of composite sequences?	<i>No</i>
If YES, is a rationale for such use provided?	
If YES, reference:	



Is a list of composite sequences and their corresponding glyph images (graphic symbols) provided?	
If YES, reference:	
12. Does the proposal contain characters with any special properties such as control function or similar semantics?	<i>No</i>
If YES, describe in detail (include attachment if necessary)	
13. Does the proposal contain any Ideographic compatibility characters?	<i>No</i>
If YES, are the equivalent corresponding unified ideographic characters identified?	
If YES, reference:	

#### 4. Acknowledgements

Some useful sources were used during development of this document:

- [www.nbkr.kg](http://www.nbkr.kg) – The National Bank of the Kyrgyz Republic, the official WEB-site

#### 5. References

[1] [https://en.wikipedia.org/wiki/Kyrgyzstani\\_som#Currency\\_Symbol](https://en.wikipedia.org/wiki/Kyrgyzstani_som#Currency_Symbol)

Attachment 1

Attached here is the KYRGYZ SOM SIGN in it's "etalon form". It is intended for the editors of 10646 to be able "catch an idea" of the sign, as it is understood by designers inside NBKR.